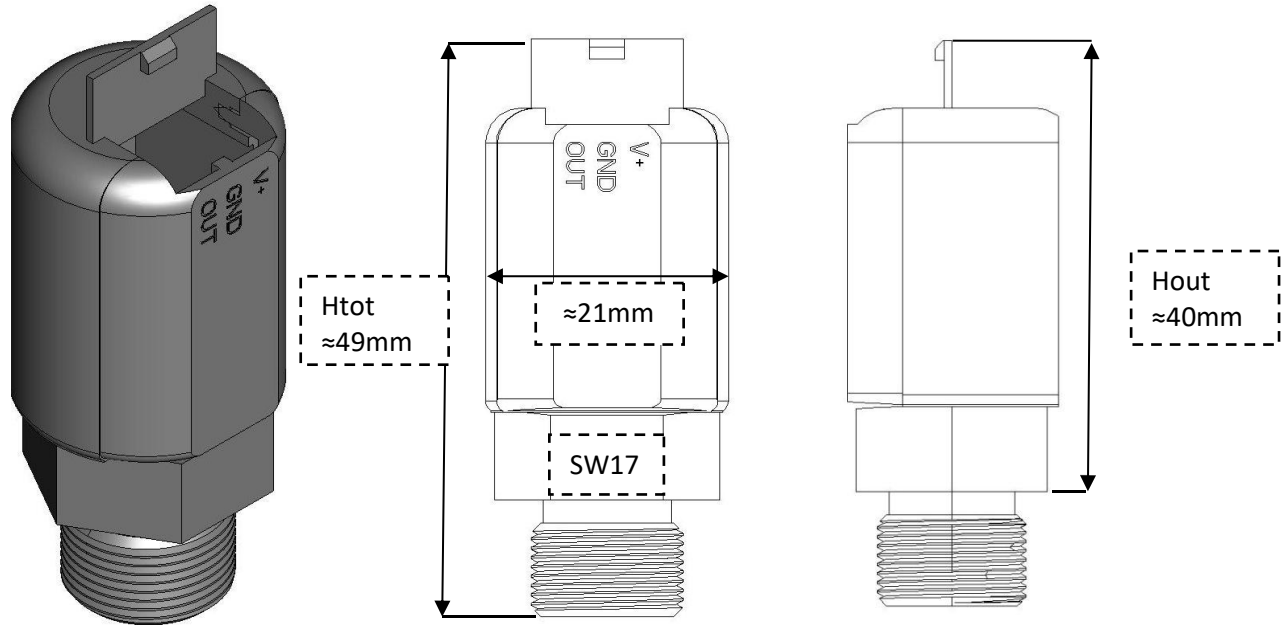


## TRANSDUCERS "PTSN008" SERIES – PRELIMINARY DOCUMENT

### 水压变送器“PTSN008”系列 – 规格书



The "PTSN" Series transducers is well suited to the following applications (适用如下应用场合)

- ✕ Heating systems 加热系统
- ✕ Air conditioning systems 空调系统
- ✕ Boiler systems 壁挂炉系统
- ✕ Industrial applications 其他工业应用

<b>General Features 一般参数</b>	
<b>Plastic Housing 塑料外壳</b>	Polyamide 66 (PA 66)
<b>Sensor Material 压力传感器</b>	Alumina $Al_2O_3$ 96%
<b>Seal Material 密封材料</b>	EPDM; (VITON, SILICONE, NBR possible on request)
<b>Connector 电气接头</b>	RAST 2.5 mm (Stocko 7234 Series, TE connectivity duoplug or equivalent)
<b>Protection Class 防护等级</b>	IP 00
<b>Weight 产品重量</b>	≈ 12g
<b>Operational Features 工作参数</b>	
<b>Full Scale Range 压力范围</b>	0 ÷ 4 bar, relative
<b>Unbalance 零点初始误差</b>	± 1.5%FS (±30mV) ± 2.5%FS (±50mV) ± 5.0%FS (±100mV)
<b>Error of linearity, hysteresis, and repeatability 非线性, 迟滞性, 重复性</b>	± 1.0% FS
<b>Thermal Coefficient 温度漂移</b>	Zero 零点温漂 0.05%FS/°C , sensitivity 灵敏度温漂 0.025%/°C
<b>Overload Pressure 过载压力</b>	10 bar
<b>Burst Pressure 破坏压力</b>	15 bar
<b>Fluid Temperature 流体温度</b>	From +2 to +100°C
<b>Environmental Temperature 环境温度</b>	From +2 to +90°C
<b>Fluid 测量介质</b>	Liquids compatible with the specified materials, including water (resistant to

胜拓传感器（上海）有限公司，电话：+86-21-61096911，手机：15821459853

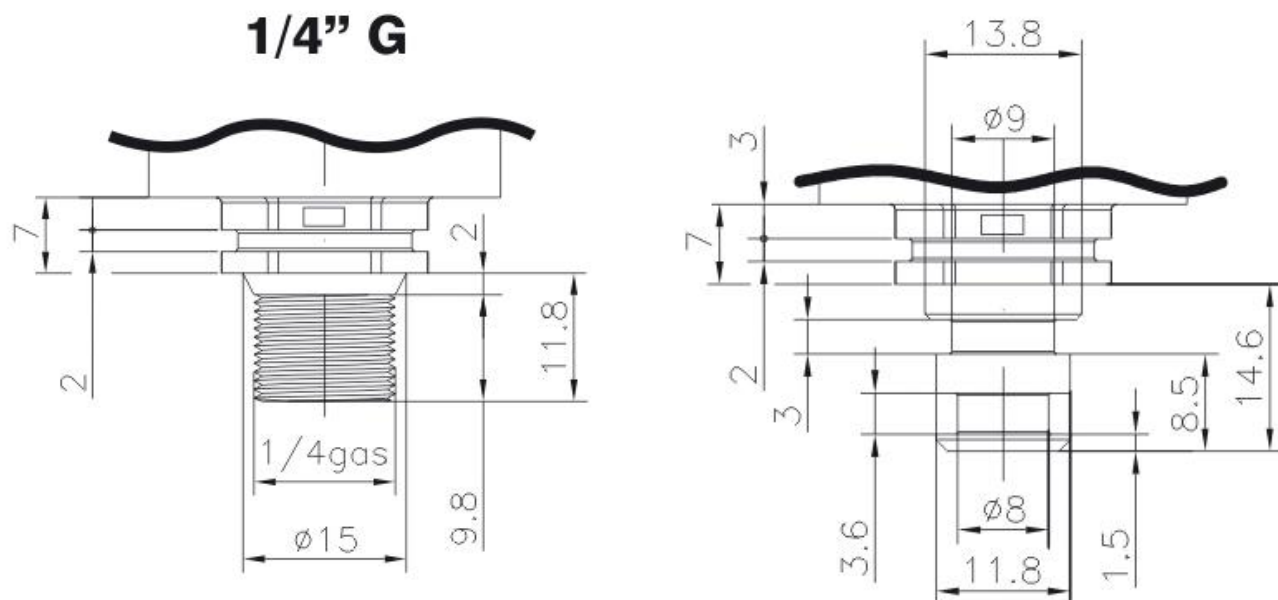
地址：上海市浦东新区民冬路 166 号 4 号楼二楼西侧，邮箱：[deng@sentronics.cn](mailto:deng@sentronics.cn)，网址：[www.sentronics.cn](http://www.sentronics.cn)

additives commonly used for heating circuits and glycols), neutral gases.  
与上述特定材料兼容的流体物质，包括水（对于常用于供热回路的添加剂和二醇类有很好的抵御作用），天然气。

### Electrical Features 电气参数

<b>Supply voltage (Vs) 供电电压</b>	5 VDC +/-10%; current consumption <10 mA
<b>Output Signal 输出信号 (ratiometric 10...50 %Vs)</b>	0...4 bar: 0.5...2.5VDC; (0.5...3.5VDC available on request)
<b>Electromagnetic compatibility 电磁兼容</b>	The product is devoted for OEM installation only. Customer keeps the responsibility for electromagnetic compliance.

### Pressure fitting 压力接头: Male 1/4"G and Fast connection (Other pressure fitting, please consult us 其他接头根据要求定制)



### ORDERING CODE 订购编码: PTSN008-XXX-X-X

Pressure Range (in bar)

压力量程

Pressure Fitting 压力接口

- 0 G1/4 male G1/4 外螺纹
- 1 Fast connection 快速接头
- 2 Other (on request) 其他根据要求

Electrical Connection 电气连接

- C RAST 2.5 mm 连接器
- D Other (on request) 其他根据要求

**RoHS2 Compliant**  
Directive 2011/65/UE